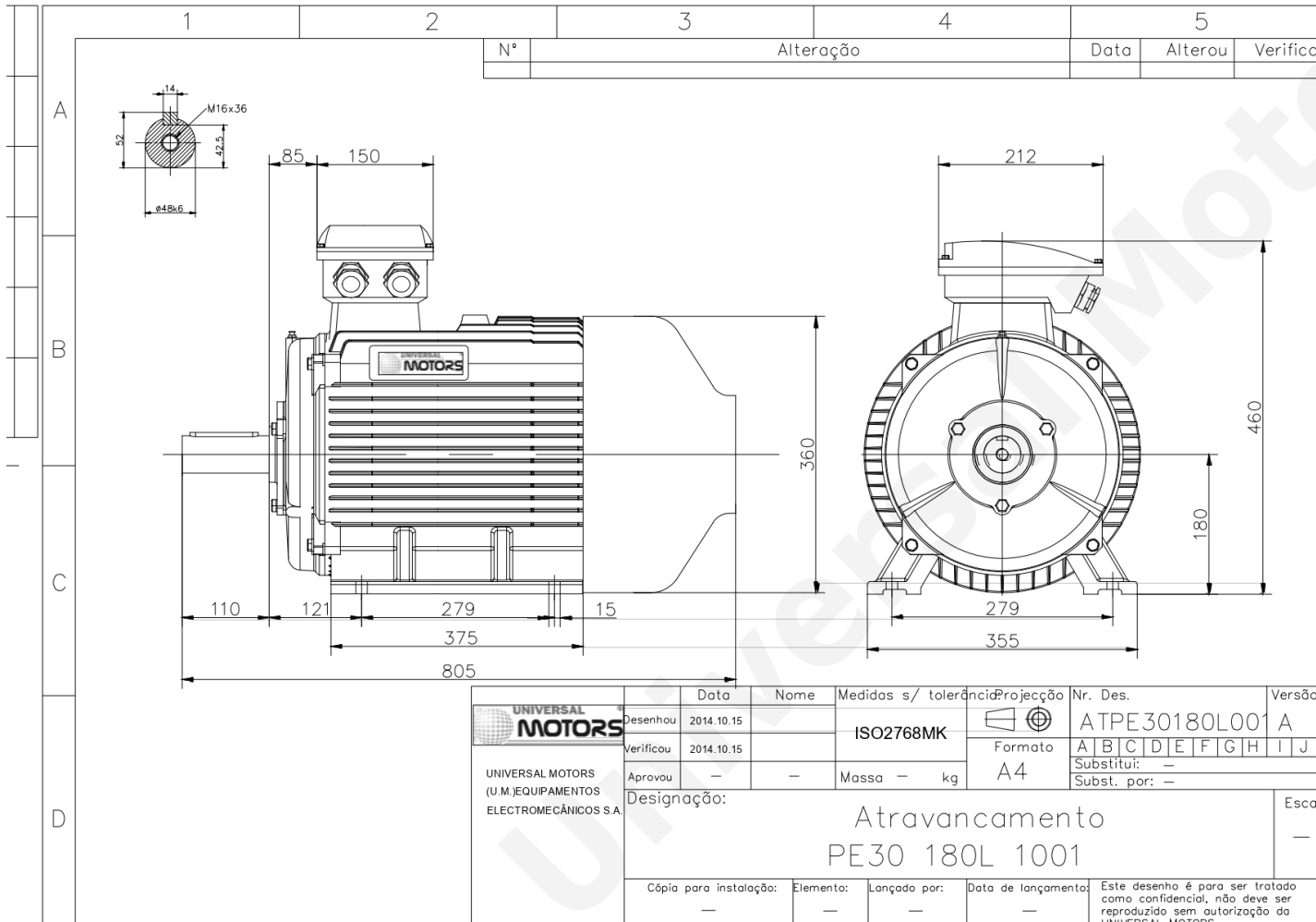




TECHNICAL DATA

Three Phase Electric Motors - Cast Iron Frame
 PE30 180L-8
 11 kW / 15 Cv
 730 RPM



Motor type: **PE30 180L-8**
 Output: **11 kW / 15 Cv**
 Speed (min⁻¹): **730 RPM**
 Frequency: **50 Hz**
 Voltage: **400 V**
 Current: **23.90 A**
 Power factor (Cos Ø): **0.75**
 Poles: **8**
 Insulation class: **F**
 Temperature rise Class: **B**
 Efficiency 50%: **86.7 %**
 Efficiency 75%: **88.9 %**
 Efficiency 100%: **88.6 %**
 Torque: **144 N.m**
 Tstarting/Tnominal: **2.0**
 Istarting/Inominal: **6.5**
 Tmaximum/Tnominal: **2.0**
 Noise: **70 Db(A)**
 Weight: **212 Kg**
 Bearing DE: **6311 C3**
 Bearing NDE: **6311 C3**

Regime - S1

Altitude - 1000m

Environment Temperature - 40°C

CONTACTS:

UNIVERSAL MOTORS Tel: +351 252 299 080
 Rua de São Brás, 745 Fax: +351 252 299 089
 4480-782 VILA DO CONDE Mail: geral@universalmotors.pt

* References applied only in the UK